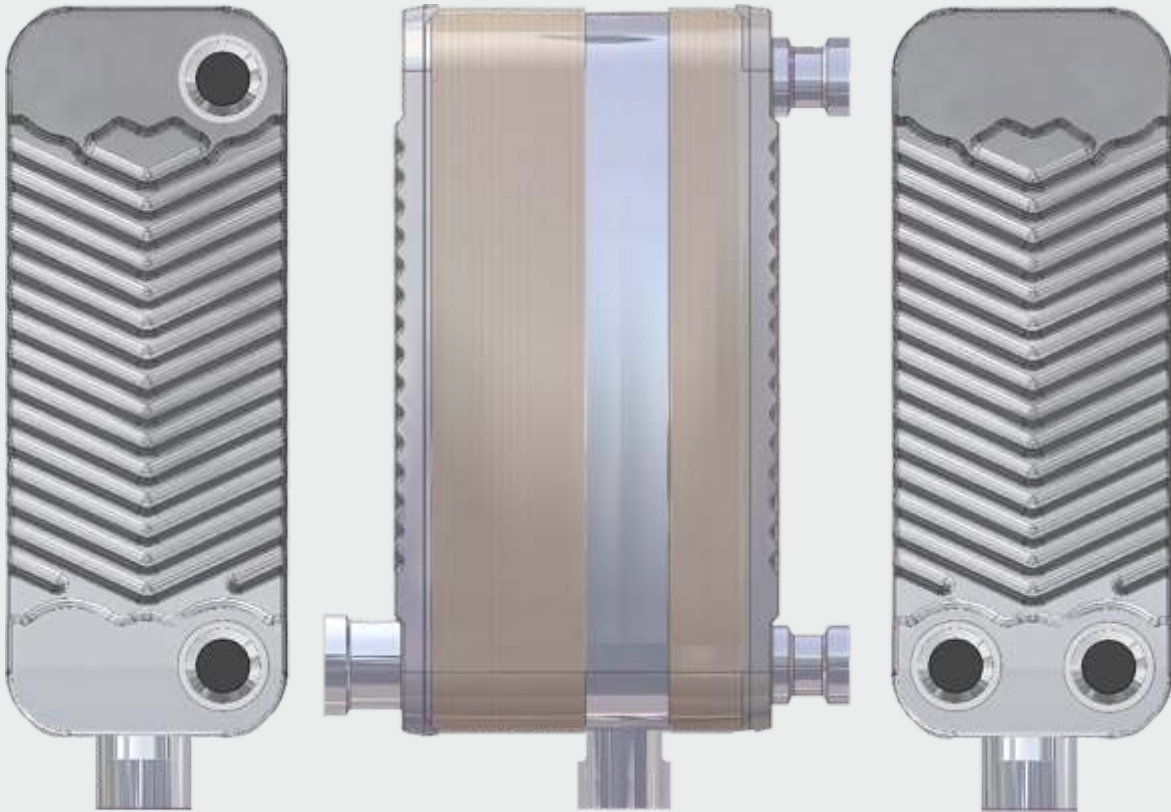


ADWIS

35, 50, 60, 80, 100



ADWIS

SWEP

(

),

ADWIS 35, 50, 60, 80 100

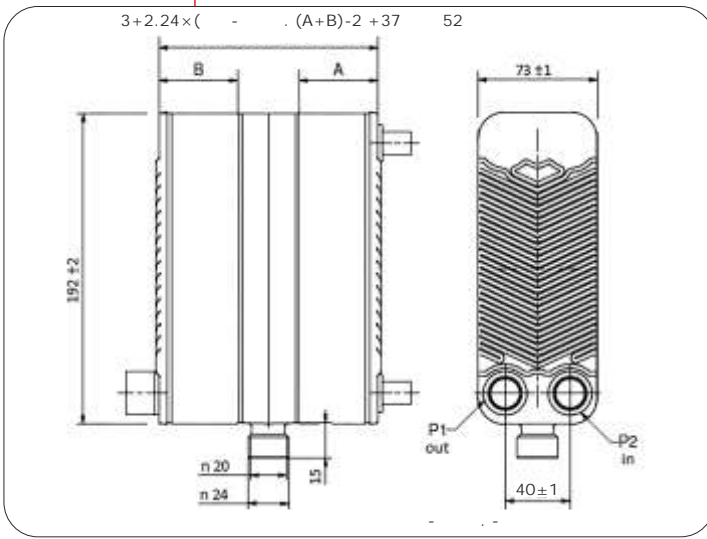
15-100 ?

192 ? 73

? 187 (

).

ADWIS | 35, 50, 60, 80, 100



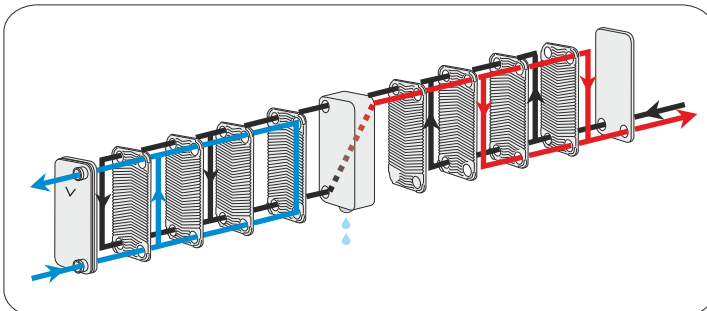
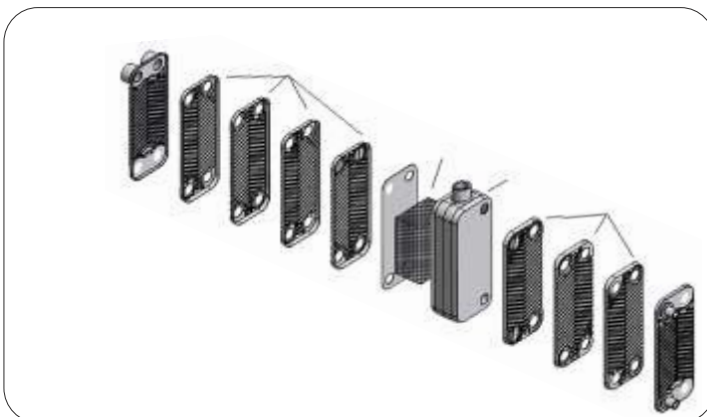
5 12

R134a $t_0 = 0^\circ\text{C}$. $t = 20$ / $t = 8-10\text{ K}$ $t = 3^\circ\text{C}$,

16
31

PED

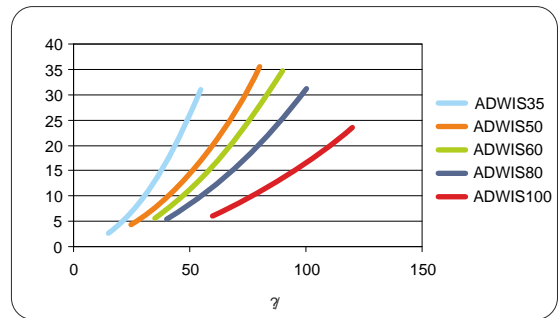
192 ? 73



	γ^*	l
ADWIS 35	15 - 35	- 20
ADWIS 50	35 - 50	20 - 30
ADWIS 60	50 - 60	30 - 35
ADWIS 80	60 - 80	35 - 50
ADWIS 100	80 - 100	50 - 60

* $t = 8$ (), $t = 20$ / $t = 8-10\text{ K}$ $t = 3^\circ\text{C}$,

(γ)	A	B	()	()	(γ)
35	8	13	37	35	82.5
50	10	19	37	35	100.5
60	12	21	37	35	109.4
80	16	23	52	50	137.9
100	24	37	52	50	187.2



10	
10	
3/4"	22U
3/4"	22U

1/2"

\emptyset 0,28 \emptyset 203 γ ? 98,5%,
120 / ?

5m = 93% 10m = 99.9%

61

50

20

SWEP

A DOVER COMPANY

www.swep.net